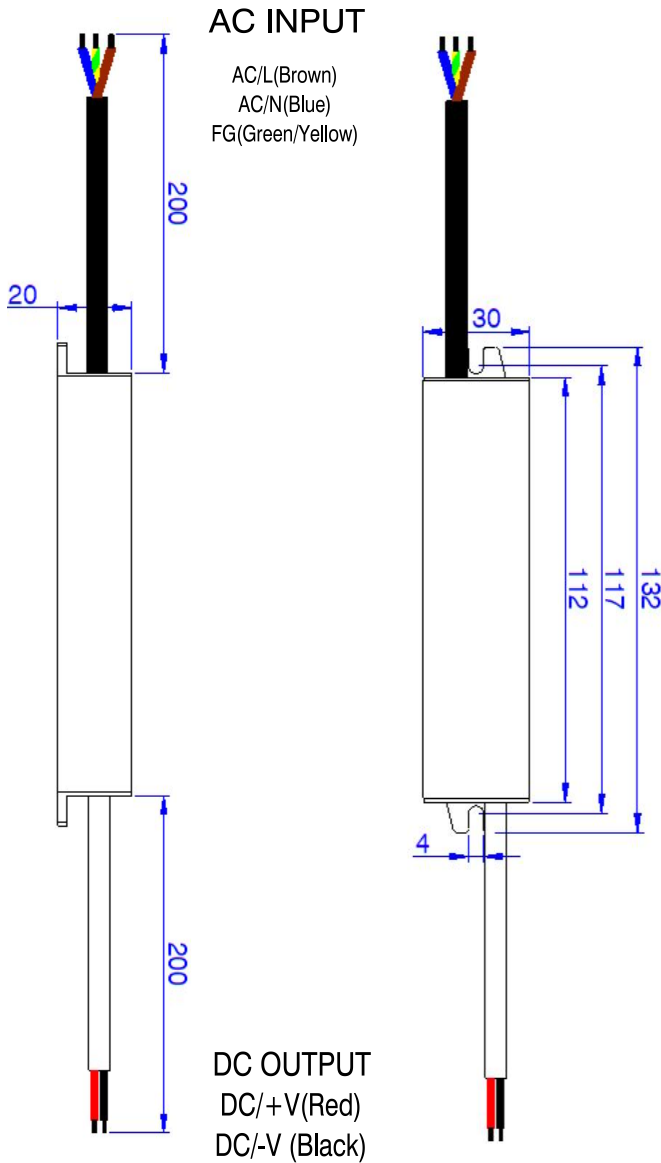


## SPECIFICATION

	MODEL	OTTER2			
OUTPUT	DC VOLTAGE	12V			
	RATED CURRENT	1.67A			
	CURRENT RANGE	0~1.67A			
	RATED POWER	20W			
	RIPPLE&NOISE(max)	<700mV			
	VOLTAGE TOLERANCE	±0.5V			
INPUT	VOLTAGE RANGE	170~265VAC			
	FREQUENCY RANGE	47~63Hz			
	POWER FACTOR(Typ.)	0.6			
	EFFICIENCY(Typ.)	82%			
	AC CURRENT(Typ.)	0.18A/220VAC			
PROTECTION	Short circuit	Protection type:Hiccup mode,recovers automatically after condition is removed			
	Overload	3.2A			
ENVIRONMENT	WORKING TEMP.	-30~+50°C (Refer to output load derating curve)			
	INGRESS PROTECTION	IP67 design for indoor or outdoor installations			
	STORAGE TEMP	-40~+80°C			
SAFETY&EMC	SAFETY STANDARDS	EN61347-1;EN61347-2-13;SELV;IP67 approved			
	WITHSTAND VOLTAGE	I/P-O/P:2KVAC I/P-FG:2KVAC O/P-FG:0.5KVAC			
	EMC Test Standards				
NOTE	<p>1.All parameters NOT specially mentioned are measured at 220VAC input,rated load and 25°C of ambient temperature.</p> <p>2.Ripple&amp;noise are measured at 20MHz of bandwidth by using a 12" twisted pair-wire terminated with a 0.1uf&amp;47uf parallel capacitor.</p> <p>3.Tolerance:includes set up tolerance,line regulation and load regulation.</p>				

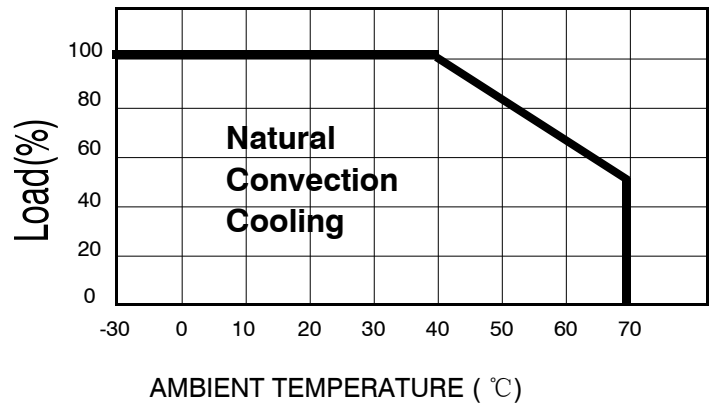
**Mechanical Specification**



**Others**

DIMENSION	127×30×20mm(L×W×H)
CARTON QUANTITY	50pcs/carton
CARTON SIZE	324×214×188mm
WEIGHT	0.15Kg/pcs

**Derating Curve**



Cable Model of input : VDE H03VV-F 3×0.75mm<sup>2</sup>

Cable Model of output: VDE H03VV-F 2×0.75mm<sup>2</sup>